



10
YEARS OF
GUARANTEE

OUTSTANDING

- May be erected quickly without fastening fittings between post and frame
- Rigidity and quality of the materials
- Exceptional service life due to their anticorrosion coating
- Complete system

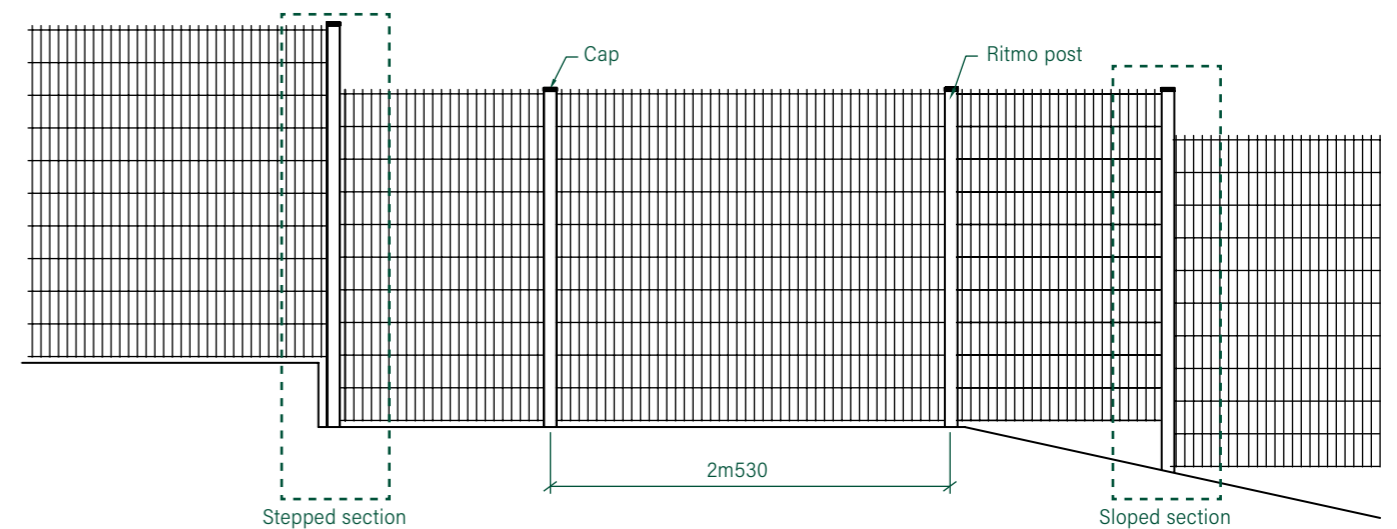
Application places



*except for sporting areas

Assembly

Fixing system without brackets for very simple and tamper-proof installation. The panels are fixed directly to the post notches and adjusted to the required height.



STEPPED SECTION

Install the longest post (normal length + step) on the lower part and attach both the upper and the lower panels to it using twice the number of brackets.

SLOPED SECTION

Install the longest post (normal length + slope) on the lower part and attach both the upper and the lower panels to it, using twice the number of brackets.

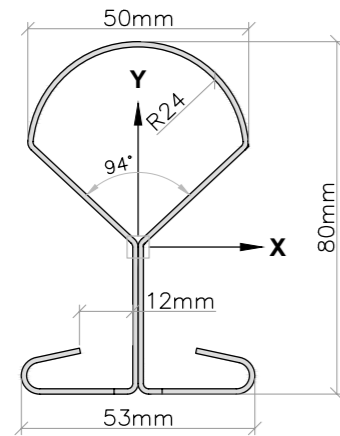
Technical features

POST

- Ritmo-type post 1.2mm thick (I/V=5.46cm³). Profile specially shaped to help the installation of the panels. The panels are inserted directly into the notches that are specifically designed to support and adjust the fence.
- Steel carbon plate according to the EN-10327 standard.
- Minimum elastic resistance 250 N/mm².
- Minimum mechanical resistance 330 N/mm².
- Posts provided with polypropylene cap which will not degrade in harsh weather.
- Defensive spike finishing on top or bottom following panel orientation.

Detail of Ritmo post

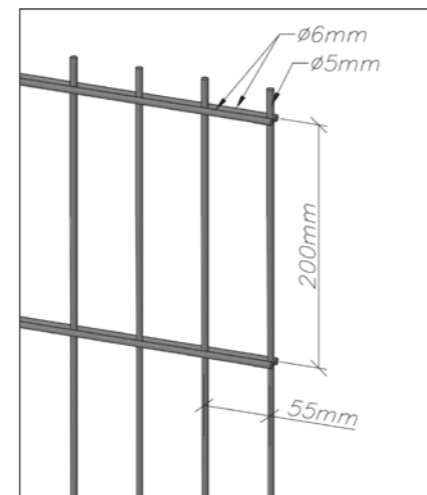
Profile weight: 2.65Kg/ml
Galvanised sheet
I/V= 5.66cm³



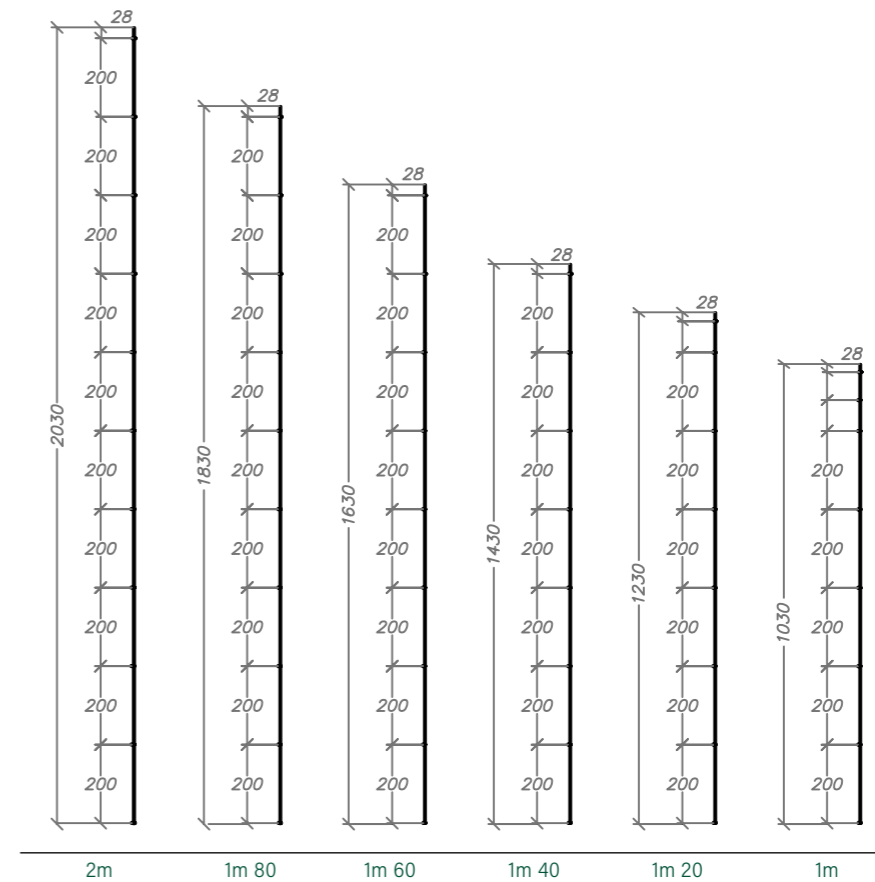
PANEL

- Welded woven wire panels with multiple knots to increase rigidity.
- Dimensions of the panels: 200/55mm.
- Wire diameter: 6/5/6mm.

Detail of Ritmo DH panel



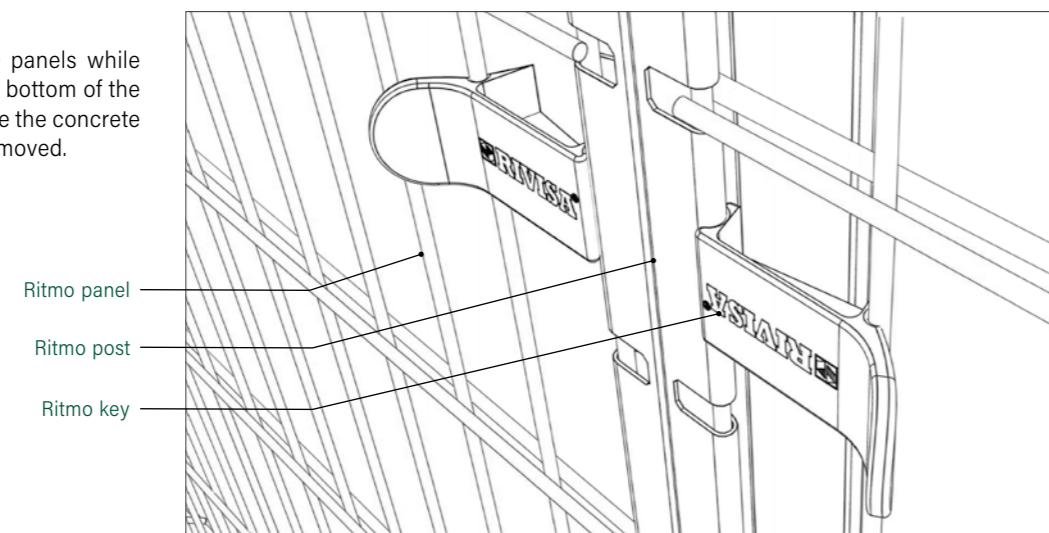
Side view



FENCE HEIGHT	PANEL		POST		RITMOS KEYS X POST	DISTANCE BETWEEN POST AXES	
	LENGTH	HEIGHT	TYPE	TOTAL LENGTH			TOTAL LENGTH PLATE
1m00	2m 495	1m 03	RITMO	1m 50	1m 10	4	2m 530
1m20		1m 23		1m 70	1m 30		
1m40		1m 43		1m 80	1m 50		
1m60		1m 63		2m	1m 70		
1m80		1m 83		2m 30	1m 90		
2m00		2m 03		2m 50	2m		

RITMO KEY

Locking part to secure the panels while the concrete hardens at the bottom of the posts; it is reusable and once the concrete has hardened, it must be removed.



Anchoring system

FOUNDATION

On the ground or wall surfaces, the foundations of the posts can be made using concrete.



BASE PLATE

Optional installation of a base plate, for installing the post on a concrete wall. Dimension of a plate 120x120x8mm.



BASE PLATE L

Option to add an L-plate L-plate to fix the posts to a concrete wall. Plate dimensions: 120x120x8mm.



SIDE PLATE.

Option of installing Ritmo posts with a side plate.



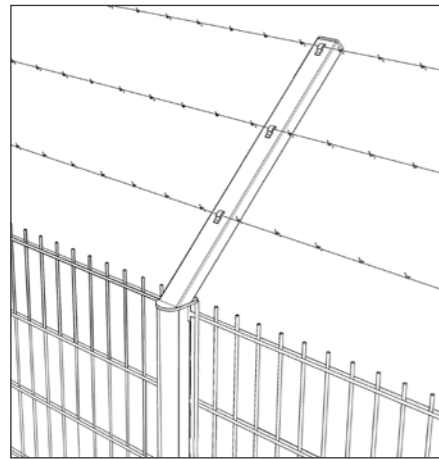
Concrete base wall

It is possible to include a concrete slab 500mm high and 40mm thick between the line posts to act as a wall. No civil works are needed.

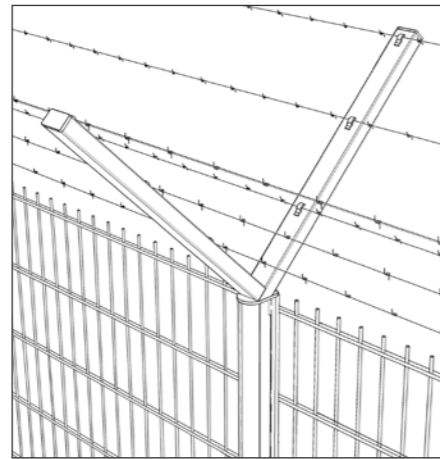


Section with extension (bayonet)

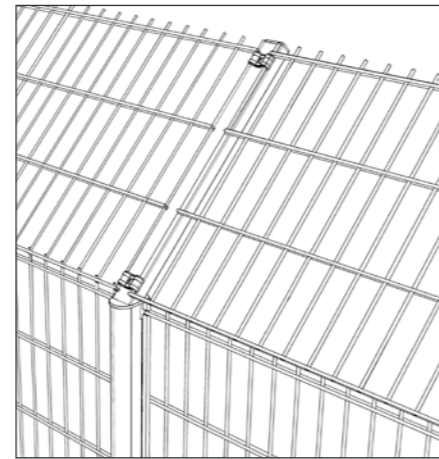
- Option of adding barbed wire to increase the security of the fence.
- Supplementary inclined arm to place the brackets and staples necessary for the installation of the barbed wire or 0m 60 frame.



BAYONET
Reversible bayonet system with barbed wire.



DOUBLE BAYONET
Double bayonet system with barbed wire.



BAYONET
Bayonet system with 0m 60 frame.

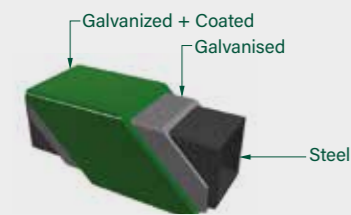
Anticorrosion coating

All the materials of system are hot dip galvanised and plastic coated with **Rivisa® Protecline** anticorrosion coating system.

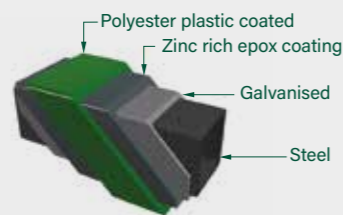
- Minimum thickness: 100 microns
- Option of applying the **Rivisa® Protecline Plus** plastic coating, which prolongs the useful life of the materials
- Option of applying the **Rivisa® Protecline Plus triple** plastic coating, which prolongs the useful life of the materials
- Available in several colours from the Rivisa RAL chart. Colours:



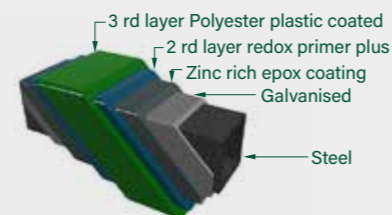
protecline



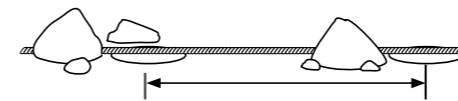
protecline PLUS



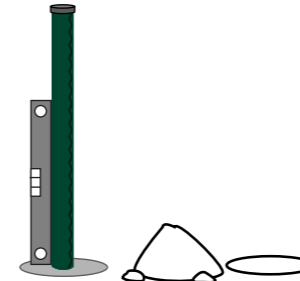
protecline TRIPLE



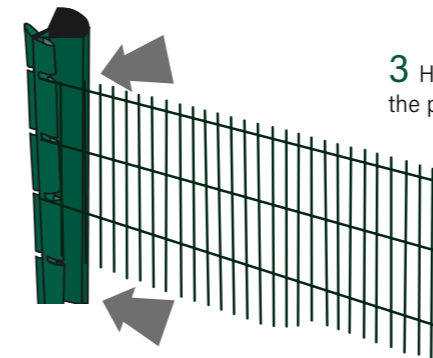
Assembly manual



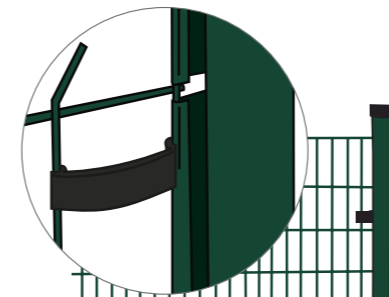
1 Mark the line of the enclosure with a rope. Drill the holes for the post foundation.



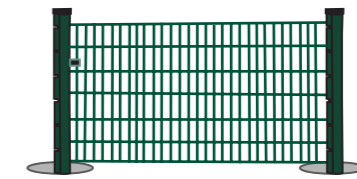
2 Cement the first post and level it with a level.



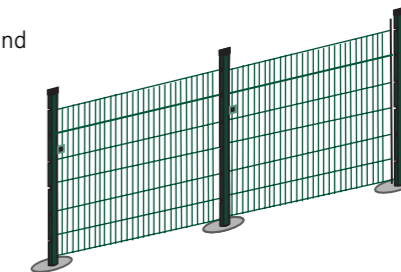
3 Hook the first panel to the post.



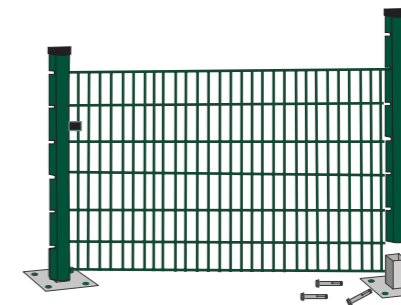
4 Place the upper part of the bracket on the panel and screw it to the already installed front panel with the screw. Once tightened, finish with the cap.



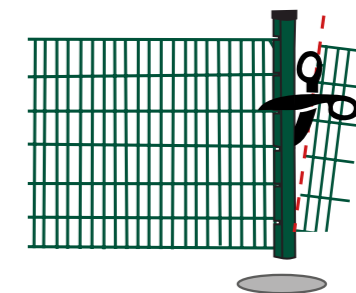
5 Install the second post following the same steps.



6 Repeat as many times as necessary



7 If anchoring with a base plate instead of a foundation, screw the base and insert the first post. Hang the panel and insert the next post.



8 If necessary, cut the panel to obtain a more precise finish.

